
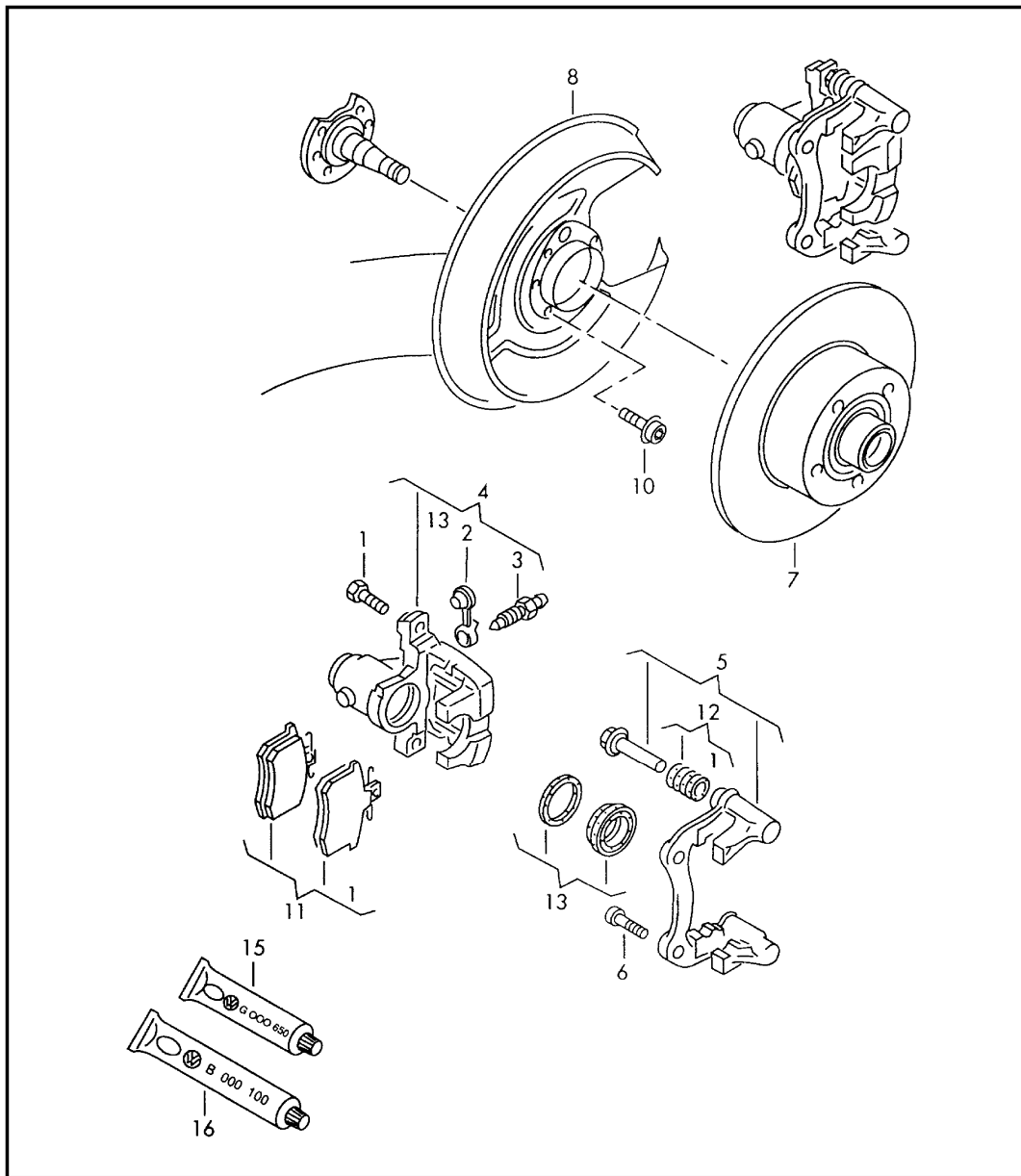


Model	Year	MG	SG	Illustration	Restrictions	UPD	15:08	10.06.2009		ETKA
A4Q	2000	6	15	615-61		753	USA			



Pos	Part Number	Name	Remarks	Qty	Model
		disc brake brake caliper caliper carrier with pad retaining pin brake disc brake disc brake cable	rear LUCAS 245X10 256X22		PR-1KD,1KE PR-1KD PR-1KE
1 +	321 615 141	bolt, hex. hd., self-locking	M8X21	4	PR-1KD
(1) +	8E0 615 141	bolt, hex. hd. with shoulder, self-locking	M8X22-MK	4	PR-1KE
2	211 611 483	dust cap		2	
3	357 615 273	bleeder valve	M10X1	2	
4 b	8D0 615 423 B	brake caliper	left	1	PR-1KD
(4) b	8D0 615 423 C	brake caliper	left	1	PR-1KE
(4) b	8D0 615 424 B	brake caliper	right	1	PR-1KD
(4) b	8D0 615 424 C	brake caliper	right	1	PR-1KE
5 b	443 615 425 B	caliper carrier with pad retaining pin		2	PR-1KD
(5) b	8D0 615 425	caliper carrier with pad retaining pin		2	PR-1KE
6	N 101 815 02	bolt, with hex. socket hd.	M10X1,25X40 lower	2	
(6)	N 102 409 01	bolt, with hex. socket hd.	M10X65 upper	2	