
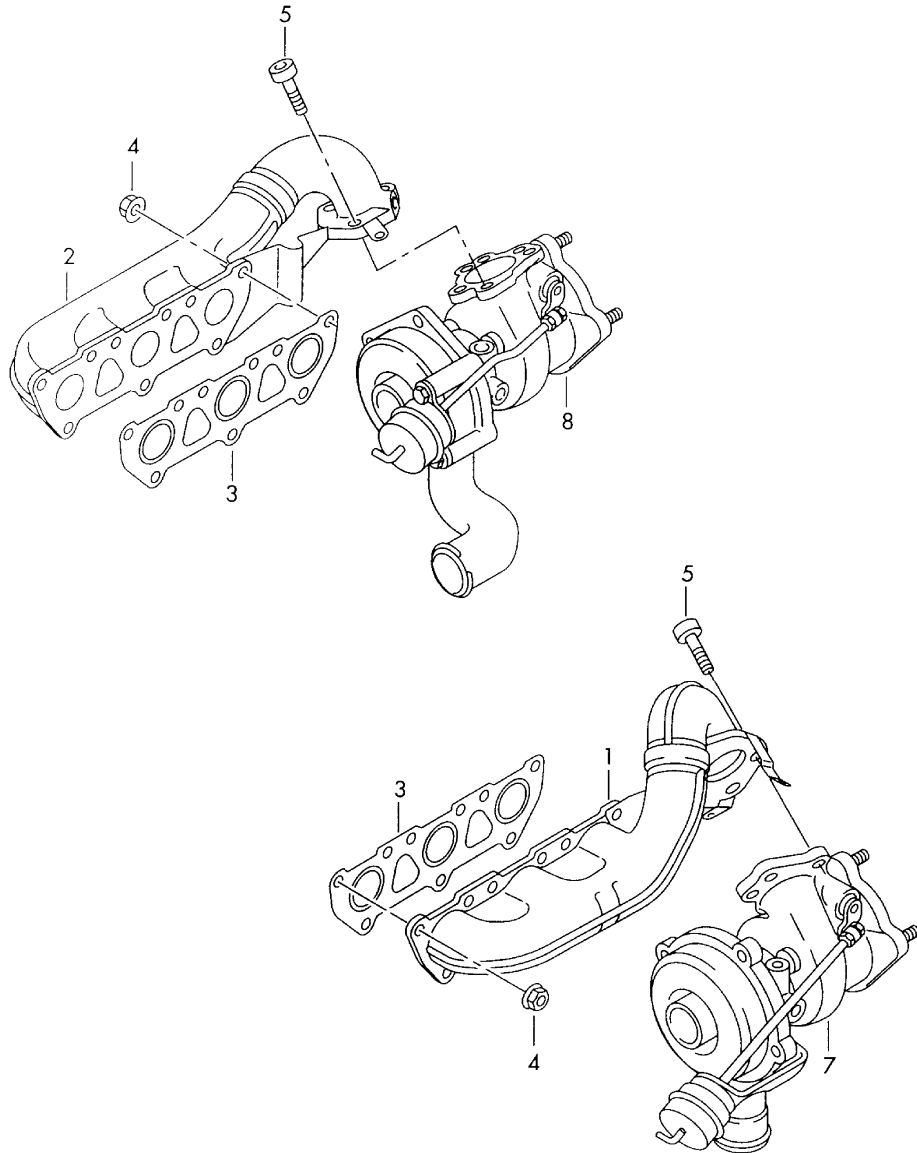


Model	Year	MG	SG	Illustration	Restrictions	UPD	13:23	15.07.2009		ETKA
A4Q	2000	2	53	253-29		753	USA			



Pos	Part Number	Name	Remarks	Qty	Model
		exhaust manifold	2,7ltr.		6 cylinder: APB
1	078 253 033 DN	exhaust manifold	cylinders 4-6 left	1	
2	078 253 034 DK	exhaust manifold	cylinders 1-3 right	1	
3	078 253 039 G	gasket		2	
4	+ N 902 264 03	shouldered hex. nut, self-locking	M8	18	
5	N 014 721 5	screw, cheese hd.	M10X25	6	
7		exhaust gas turbocharger see illustration:	left 145-70	1	
8		exhaust gas turbocharger see illustration:	right 145-70	1	